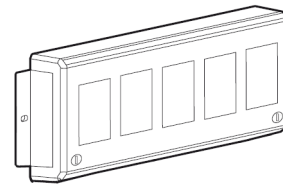


Roth AM-8 connection module

Assembly Instructions

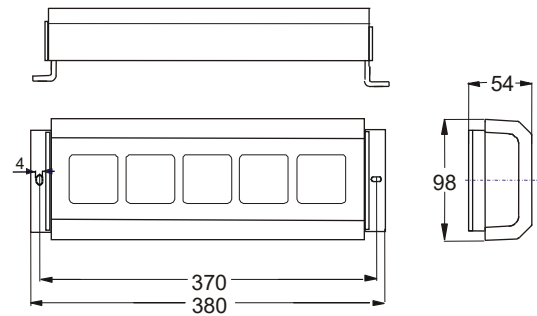
AM-8 connection module

Connection unit for user-friendly connection of Roth RSF 20/RSF 220 room thermostats with Roth actuators.
The 24 V actuators and room thermostats can be used with the Roth RT-2 transformer.



Technical data/Dimensions

Power supply	230 V~ 50 Hz/24 V~ 50 Hz
Number of actuators	max. 16 (2 per zone)
Pump connection	max. 2,2 A
Manifold fuse	T 4,0 A
Permissible ambient temperature	-5 to 50°C
Permissible ambient humidity	< 95% RH
Degree of protection	IP 44 (EN 60529)

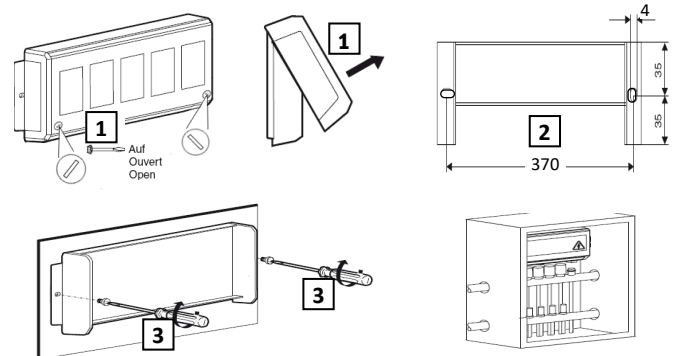


All dimensions in mm

Installation

Suitable for installation in the Roth manifold cabinet or on a stable subsurface.

- 1 Rotate both enclosure screws inwards by 45° and open the cover.
- 2 Make sure the connection opening is at the bottom! Make sure the drilling distance is consistent with the drilling plan.
- 3 Install the connection module using the self-tapping screws provided.



Electrical connection

- ⚠ Risk of electric shock through live components behind the cover.
- ⚠ Installation may only be carried out by a qualified electrician.
- ⚠ Always make sure the power is off before doing any work.
- ⚠ Only power up the device once installation is complete and the enclosure has been closed.

Connection errors may cause damage to the connection module.
No liability can be accepted for damage caused by improper handling and/or incorrect connection.

More than one actuator per thermostat

Up to 5 actuators can be used for each thermostat. Where there are up to 2 actuators, the thermostat output can be bridged to the next free zone (e.g. from terminal 11 to terminal 21; the actuators can then be connected to terminals 16-19 and 26-29).

Pump connection

The Roth pump control card, which is available separately, must be used for pump control based on demand.
No protective conductor is required to connect the control distributor. The device has protective insulation.
The PE supporting terminals are to be used when looping things through for pump connection purposes.

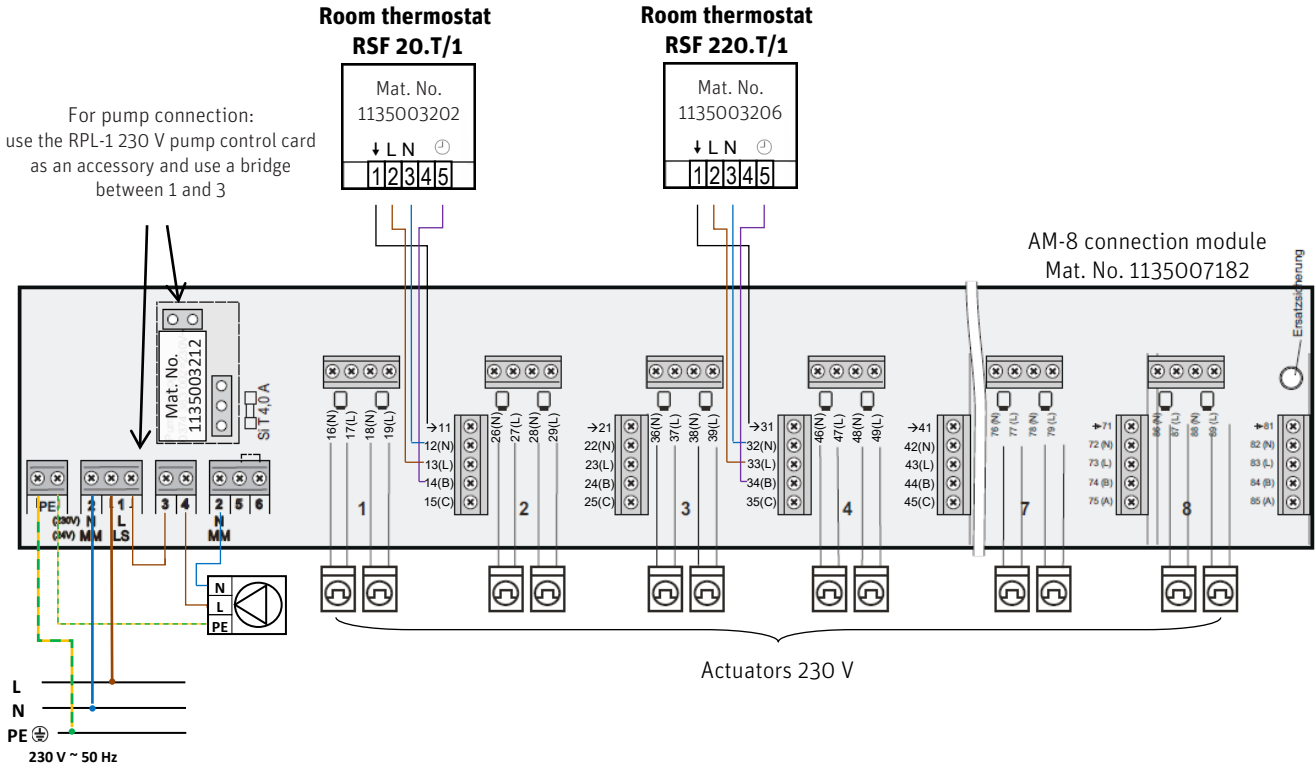
Roth AM-8 connection module

Assembly Instructions



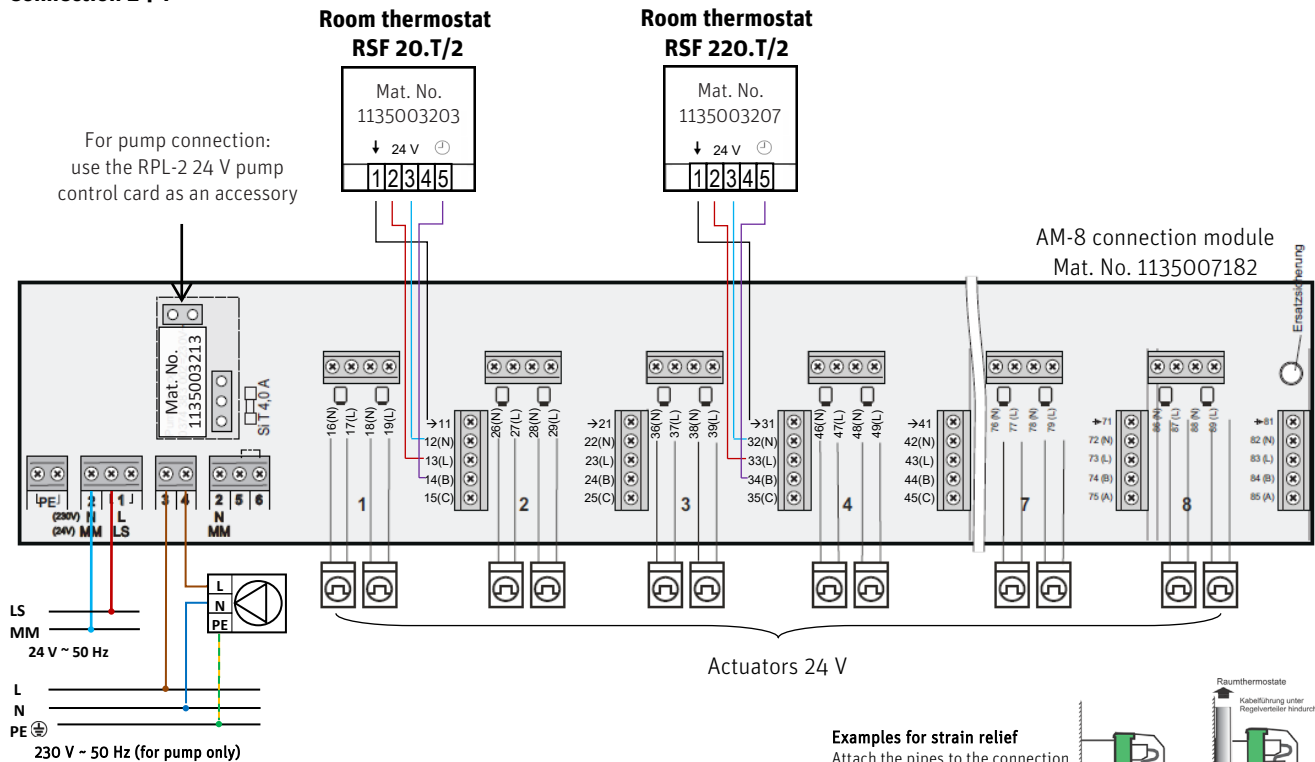
Connection 230 V

For pump connection:
use the RPL-1 230 V pump control card
as an accessory and use a bridge
between 1 and 3

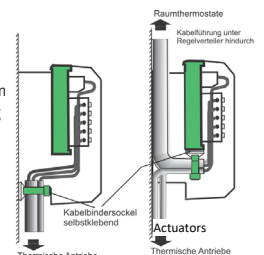


Connection 24 V

For pump connection:
use the RPL-2 24 V pump
control card as an accessory



Examples for strain relief
Attach the pipes to the connection
module or manifold cabinet using
a cable tie mount.



ROTH UK Ltd

1a Berkeley Business Park · Wainwright Road
Worcester WR4 9FA
Phone +44 (0) 1905 453424
E-Mail enquiries@roth-uk.com