

# Roth RTL valve

## Roth RTL valve for regulating underfloor heating in a single room

### Description

Roth RTL valves are used to regulate flow and temperature in underfloor heating circuits in single rooms. The RTL valve is installed on the underfloor heating return pipe and measures the media temperature. The valve regulates the flow through the valve using a configured media temperature between 10°C and 50°C.

In addition to regulation using the media temperature, the RTL valve is also supplied with various options to regulate flow using room temperature. Here you can choose between thermostats installed on the RTL valve housing or wireless room thermostats.

The pipe connection is made using Roth EURO distribution couplings in the selected pipe dimension

### Technical data

Roth RTL valve, 10-50 degrees  
 Roth RTL valve (10-50 degrees) with room temperature thermostat  
 Roth RTL valve (10-50 degrees) with wireless room thermostat  
 Roth RTL valve with capillary sensor, 5 metres

### HVAC no.

7401966006  
 7401966106  
 7401966206  
 7401966306

### Applications

Underfloor heating systems

### Material

Brass

### Material, gaskets

EPDM rubber

### Differential pressure

Max. 20 kPa (0.2 bar)

### Operating temperature

Max. 95°C

### Operating pressure

Max. 10 bar

### Thread on connections

EURO 3/4"

### Insulation material

EPP

Water containing up to 50% glycol

### Accessories

### HVAC no.

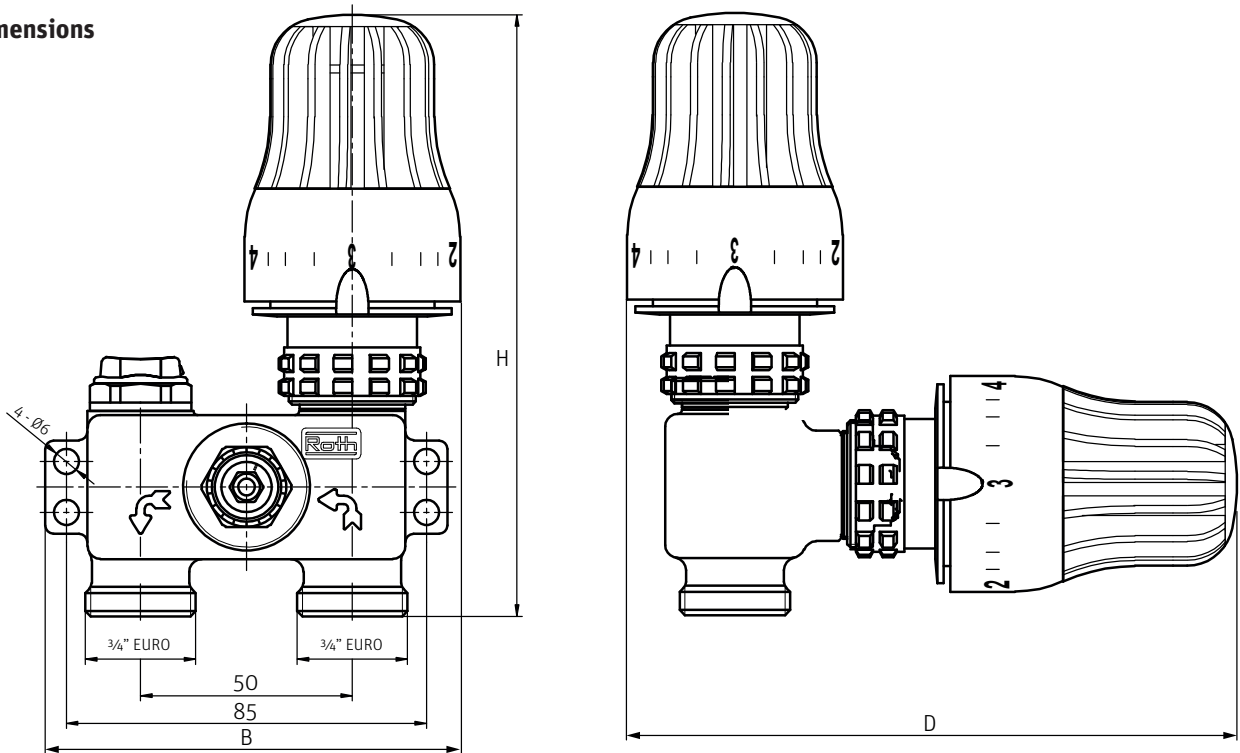
Roth Basicline 230V room thermostat	RW1000.402
Roth actuator 230V	7466275433
Roth capillary sensor for RTL valve, 5 metres	7401966630
Roth distributor coupling 10.5 mm x 3/4"	7401974810
Roth distributor coupling 12 mm x 3/4"	7401975812
Roth distributor coupling 15 mm x 3/4"	7401975815
Roth distributor coupling 16 mm x 3/4"	7401974816*
Roth distributor coupling 17 mm x 3/4"	7401974817
Roth distributor coupling 20 mm x 3/4"	7401974820*
Roth insert coupling 16 mm x 3/4"	7046217546
Roth insert coupling 20 mm x 3/4"	7046217550
Roth shunt ball valve 3/4" EURO	7401973866
Roth thermometer tee 3/4" EURO	7401973876

\* Can also be used for Alu-LaserPlus® pipes.

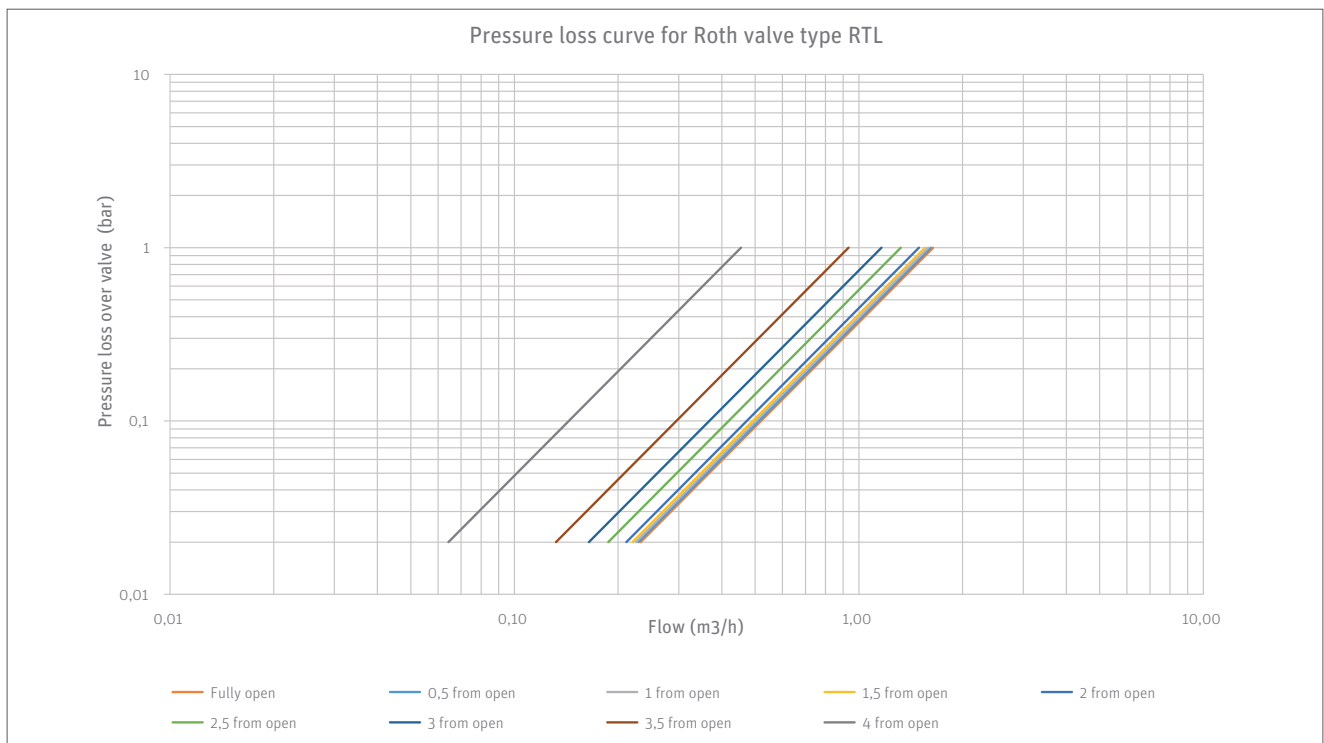


# Roth RTL valve

## Dimensions

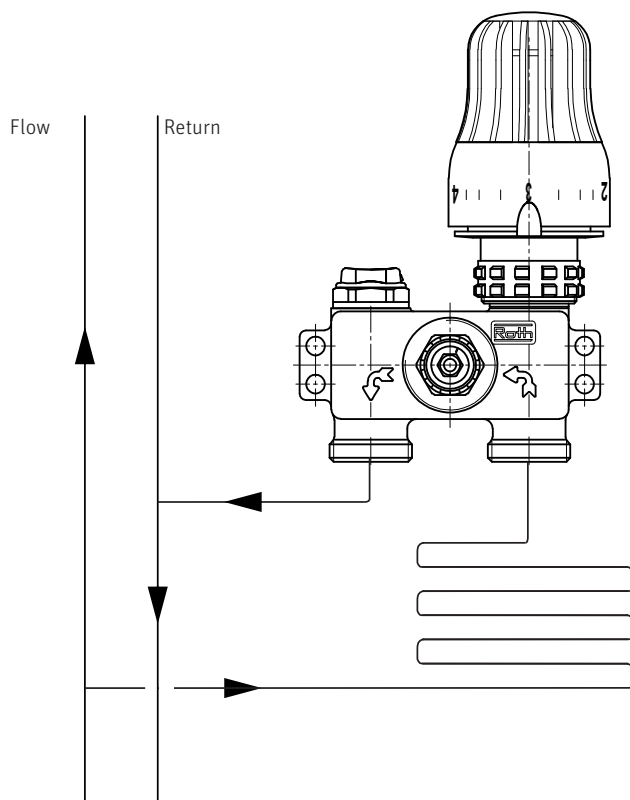


Type	Dimension W	Dimension H	Dimension D
Roth RTL valve, 10-50 degrees / incl. insulation	98/146	142/162	95/105
Roth RTL valve 10-50 degrees with room temperature thermostat / incl. insulation	98/146	142/162	145/160
Roth RTL valve 10-50 degrees with wireless room thermostat / incl. insulation	98/146	142/162	120/130
Roth RTL valve with capillary sensor, 5 metres / incl. insulation	98/146	142/162	145/160



# Roth RTL valve

## Connection



## Installation

The RTL valve can be attached to the wall or similar through the insulation via the four screw holes on the valve body.

The valve must be installed on the return pipe of the underfloor heating circuit as shown in the illustration. It is important to thoroughly flush through the installation and to air it out so that there is no air trapped in the underfloor heating hose and the valve itself.

The media thermostat must be configured to achieve the desired floor temperature. If a thermostat element or wireless room thermostat has been installed to regulate the room temperature then this must be configured afterwards. It is important to ensure that the capillary sensor or wireless room thermostat is positioned in such a way as to achieve the most representative reading for the room. Please see below for configuration of thermostats.

Media thermostat scale					
Thermostat settings	1	2	3	4	5
Media temperature (return)	10°C	20°C	30°C	40°C	50°C

The above scale reflects the mean temperature of the thermostat.

Scale for sensor element with or without capillary sensor						
Thermostat settings	*	1	2	3	4	5
Room temperature	6°C	12°C	16°C	20°C	24°C	28°C

For wireless room thermostats the room temperature must be configured based on the gradation of the room thermostat.