

## Roth Compact® Primer

Installation



*German quality since 1947*

# Roth Compact® Primer

## (UK) Description

Roth Compact® Primer is a cement-based, fibre-reinforced, highly flexible primer that ensures good adhesion between Roth Compact® System products and subsequent products, such as any type of tile adhesive or self-levelling screeds. Roth Compact® Primer develops its strength quickly so that subsequent work can be carried out after just 3 hours.

## Application

Roth Compact® Primer has been specially developed for the Roth Compact® System. This primer has a unique ability to bond to aluminium and therefore ensures a really good connection between Roth Compact® panels and other products that have to bond to the panels. The minimum application temperature is +6°C, and this is applicable to the base as well.

## Preparing the base

The surface must be entirely free of loose particles, dust, grease, etc. The compact panels must be degreased using a dilute ammonium chloride solution in the ratio 3 – 4 caps to 10 litres of water. The panels must be dry before the primer is applied.

## Mixing

Take the bag of primer out of the bucket and pour clean water into the bucket. 2.5 of water must be used for every 10 kg of Roth Compact® Primer. The primer must be mixed using a high-speed mixer (400 - 1700 rpm, mixing time approx. 2 minutes) until the mixture is lump free. The ready-made mixture must be used within 20 minutes.

In cold weather, Roth Compact® Primer must be at approximately the same temperature as the room in which the primer is to be used before mixing it with water.

## Application

Roth Compact® Primer is poured out directly onto the prepared base. Distribute the mixture using a large, wide, fine paint roller so that a thin and even coating of primer is applied to the Roth Compact® panels. Use of between 1.0 and 1.5 kg/m<sup>2</sup> ensures correct coating thickness, which must not exceed 1 mm. Roth Compact® Primer must not be used to align the base or build up a drop.

## Consumption

1 – 1.5 kg/m<sup>2</sup> (equivalent to approx. 7 – 10 m<sup>2</sup> for one bucket).

## Drying time (at +18°C and 50% RH)

Roth Compact® Primer must be left to set for 3 hours before carrying out any subsequent work.

Note: The product must be allowed to dry naturally (without using a fan heater or similar), and the room must be well ventilated.

## Storage

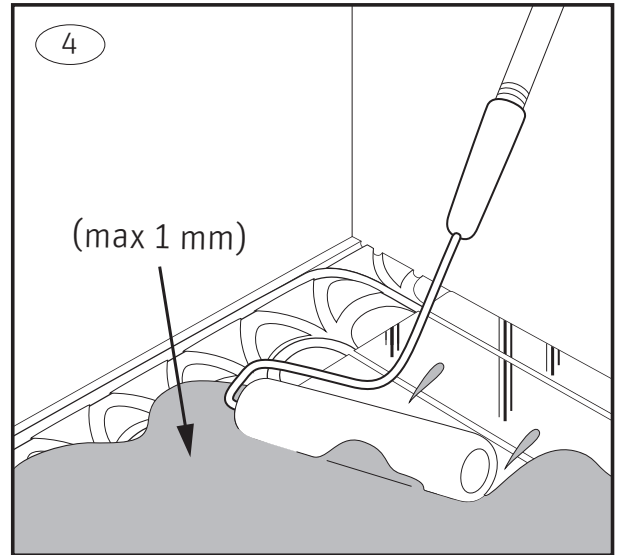
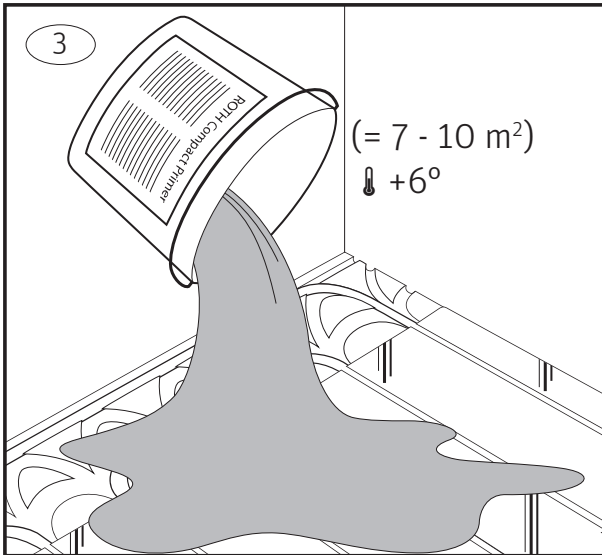
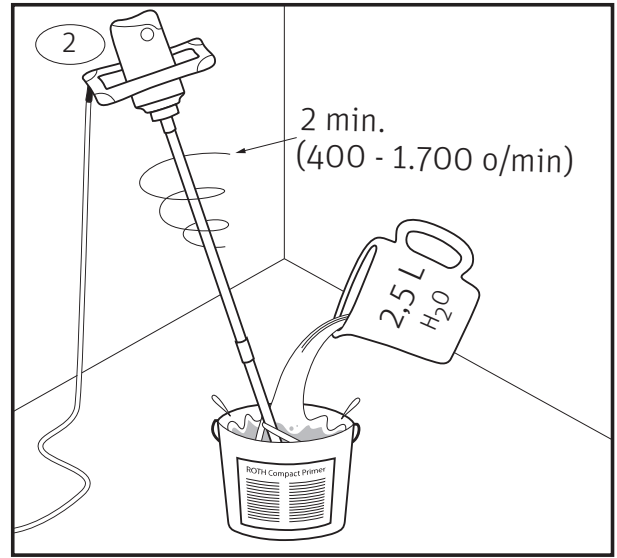
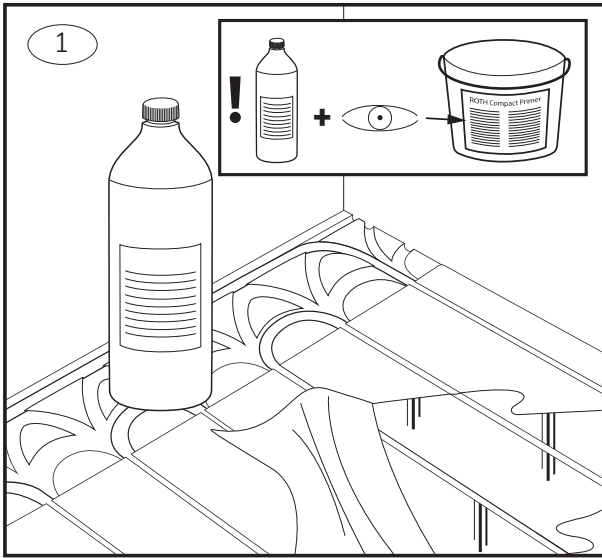
Store in a dry place. Should be used within 1 year of the production date. See the date stamp on the lid.

## UK no. 7339349810

For more information, please see: [www.roth-uk.com](http://www.roth-uk.com)

## Hygiene and safety precautions when working

This product contains cement which, when mixed with water, may cause irritation to the skin and eyes and the mucous membranes in the nose and throat. Always read the warning on the packaging before starting work. For more information, please see [www.roth-uk.com](http://www.roth-uk.com) or scan the QR code.



**ROTH UK Ltd (Head office and warehouse)**

1a Berekeley Business Park  
 Wainwright Road  
 Worcester  
 WR4 9FA  
 Phone +44 (0) 1905 453424  
 E-Mail sales@roth-uk.com  
 E-Mail technical@roth-uk.com  
 www.roth-uk.com