

Touchline

Wireless control system for underfloor heating

Roth Touchline system is used for individual control and regulation of room temperature in underfloor heating systems.

Roth Touchline system consists of a control unit 4, 8 or 12 channels wirelessly connected to the room thermostats in each room. The room thermostats are available in two types: High gloss with display and compatible with Roth Touchline App for IOS, or in a white analog "Basic Model".

Roth Touchline is an intelligent control system that is simple and easy to install.

Registering the thermostat is carried out with a single press on the controllers channel button and then the room thermostat. The system is compatible with all Roth shunt and manifold systems.



Touchline display room thermostat

Display thermostats are available in several variations, high gloss white or black, as wireless with 2 x AAA battery or fixed 230V power supply. It is also possible to get a thermostat with an infrared floor sensor (IR).

This allows us to determine a maximum temperature or minimum floor surface temperature. Only display thermostats are compatible with Roth Touchline App for IOS.

Touchline room thermostat, analog

Basic analog thermostats are available in white and are not compatible with Roth Touchline App.

Touchline control unit

The control units are available in two models: With or without LAN connections. To use the Roth Touchline App for IOS, always use a control unit with LAN connection. Use the latest update available on the website.

The control unit is mounted on a 35 mm DIN rail (included). LED lights indicate heat demand on the individual channels and power. All control units have a relay for connecting the pump, this is only a "relay switch" and not a 230V power supply.

Up to 5 control units can be connected wireless. The new controllers have an built in repeater function for optimizing the signal if needed, under extreme conditions.

First start up

At the first startup of a underfloor heating system, all actuators should be completely open, to ensure proper functioning, it is also important to get all the air rinsed out of the system. Otherwise you can experience poor circulation or noise from the system.

Auto pump motion

Roth Touchline System is set to perform a motion test run on the pump every 7 days for 3 minutes.

This is extending the life of the pump.

Auto valve motion

Roth Touchline System is set to perform a motion test run on the valves every 7 days for 10 minutes.

This is extending the life of the valves and ensuring that the valves do not get stuck.

Functions on the display and analog thermostat

- > Range up to 40 meters
- > Frost protection of the underfloor heating system "in case of lost signal".

Functions on the display thermostat

- > System regulation from Roth Touchline App for IOS and Android
 - > Individual room regulation up to three periods of time settings per day
 - > Optional Infra-red sensor for controlling the surface temperature
 - > Display with time or temperature
 - > Locking the thermostat for public use
 - > Dividing zones on the control unit
 - > Possibility of average temperature regulating, with several thermostats in large spaces
 - > On/Off or PWM puls regulation
 - > Possibility of heating and cooling in one system
 - > Wireless with battery or 230V power supply connection
 - > Bypass function for heat pump operation
 - > Possibility of configurations directly on the thermostat
 - > New quick menu, for party mode or cooling
- "For more info please see into the Touchline User Manual".

Touchline

Touchline control unit

4 channels	7466393004
8 channels	7466393008
12 channels	7466393012
4 channels without LAN	7466393054
8 channels without LAN	7466393058
12 channels without LAN	7466393062
Supply voltage	230V AC
Number of outputs and voltage	6/12/18 24V DC

Max. sustained load on the outputs

4 channels	6 thermomotors
(2 channels with 2 thermomotors and 2 channels with 1 thermomotor)	
8 channels	12 thermomotors
(4 channels with 2 thermomotors and 4 channels with 1 thermomotor)	
12 channels	18 thermomotors
(6 channels with 2 thermomotors and 6 channels with 1 thermomotor)	
Protection category	II (EN60730)
Transmission frequency	868 MHz
Range up to	40 meters in (average buildings)

Max. load pump relay	230V og 4A, 1A potential-free
Max. load heating relay	230V og 4A, 2A potential-free

Mains cable	85 cm
Ambient temperature	0 - 60°C
Ambient humidity	5 - 80% RF
Storage/transport temperature	-25 - +70°C
Protection degree	IP30 (EN60529)

Touchline room thermostats with display

Touchline room thermostat with display, white	7466393100
Touchline room thermostat with display, black	7466393102
Touchline room thermostat with display and IR, white	7466393120
Touchline room thermostat with display and IR, black	7466393122
Touchline room thermostat with display 230V, white	7466393110
Touchline room thermostat with display 230V, black	7466393112

Supply voltage (using battery)	2 p. 1,5V AAA
Battery life	> 1,5 years
Protection category	III (EN 60730)
Supply voltage (for fixed power supply)	230V AC
Energy consumption in standby mode	0,13 W
Protection category	II (EN 60730)
Room temperature range	+5 - +30°C
Floor temperature range	+15 - +30°C
Floor temperature max. range	+26 - +35°C
Accuracy (resolution)	±0,1 K/±0,5 K.
Time constants (time delay)	About 10 min./ 12 - 20 min.
Sleep mode	About 50 sec.

Activation time (awake thermostat)	< 2 sec.
Max. update time for data from wireless control unit	10 sec.
Display standby mode (without touch)	Max. 5 sec.
Display standby mode (user program level)	30 sec.
Display standby mode (service program level)	20 min
Transmission frequency	868 MHz
Range up to - 40 meters in	40 m (average buildings)
Approvals	CE
Ambient temperature	0 - 55°C
Ambient humidity	Max. 80% RF
Protection degree	IP20 (EN60529)

Touchline room thermostat analog

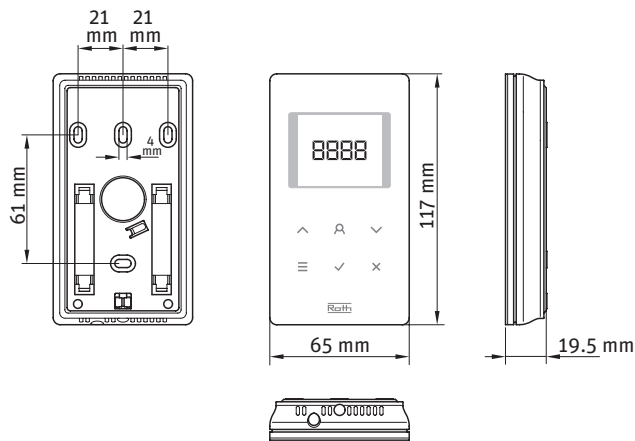
Touchline room thermostat analog, white	7466393090
Supply voltage	2 stk. 1,5V AAA
Protection degree	IP20
Transmission frequency	868 MHz
Range up to	40 m
Ambient temperature	0 - 55°C
Ambient humidity	Max. 80% RF
Battery life	> 1,5 years
Room temperature setting range	+5 - 30°C

Accessories

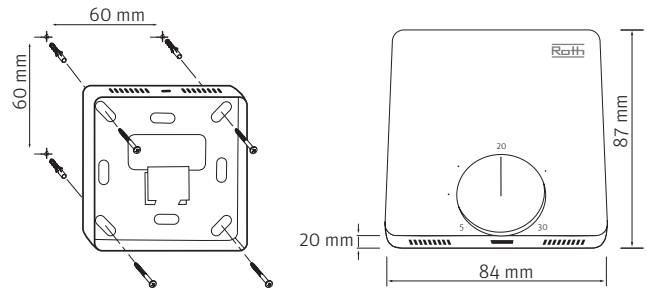
Roth thermomotor 24V, 1 watt	7466275425
Roth external antenna for Touchline	7466393130
Roth repeater for Touchline	7466393135
Roth powerLAN	7466393145
Roth GSM modul	7466393150
Roth dew point sensor	7466393156

Touchline

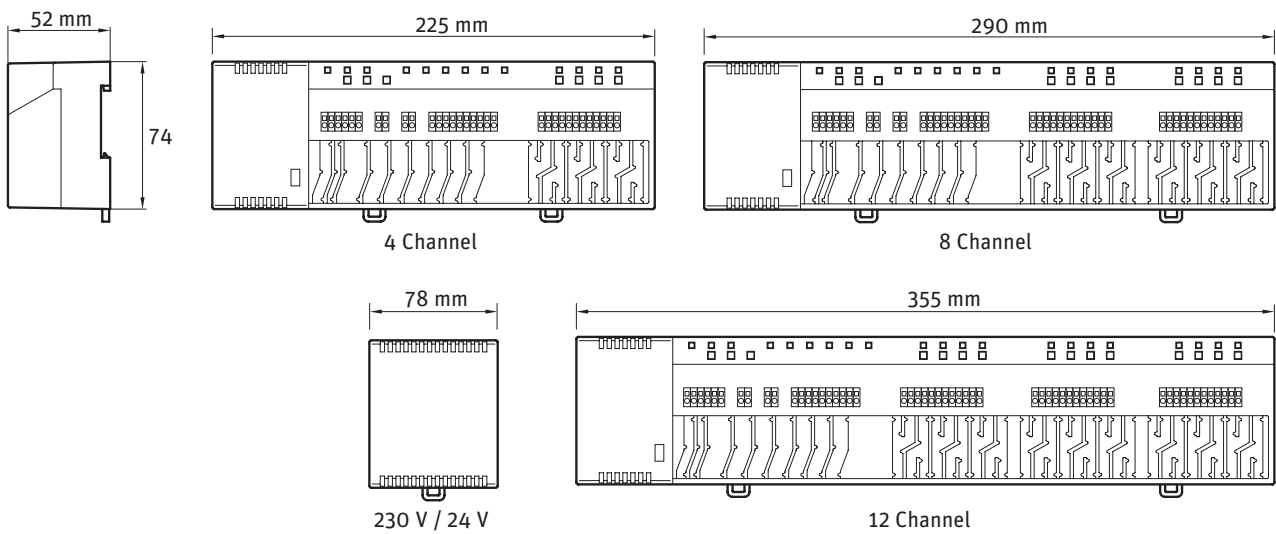
Touchline room thermostat with display



Touchline room thermostat analog



Touchline control unit 4, 8 & 12 channels with or without LAN



Standard electrical connection for the control unit.

