

# Roth GV manifold cabinet, universal and for recessed mounting

## Roth GV manifold cabinet - 550 x 700, 800 x 700 and 1150 x 700 mm

### Description

The Roth GV manifold cabinet is a waterproof underfloor heating cabinet that can be used with Roth distribution pipes for underfloor heating, both with and without shunt. Roth ShuntUnits can of course also be installed in these cabinets. Underfloor heating and tap water installations can both be housed in the same cabinet. The cabinets can be supplied in 2 versions, either as universal or for recessed mounting.

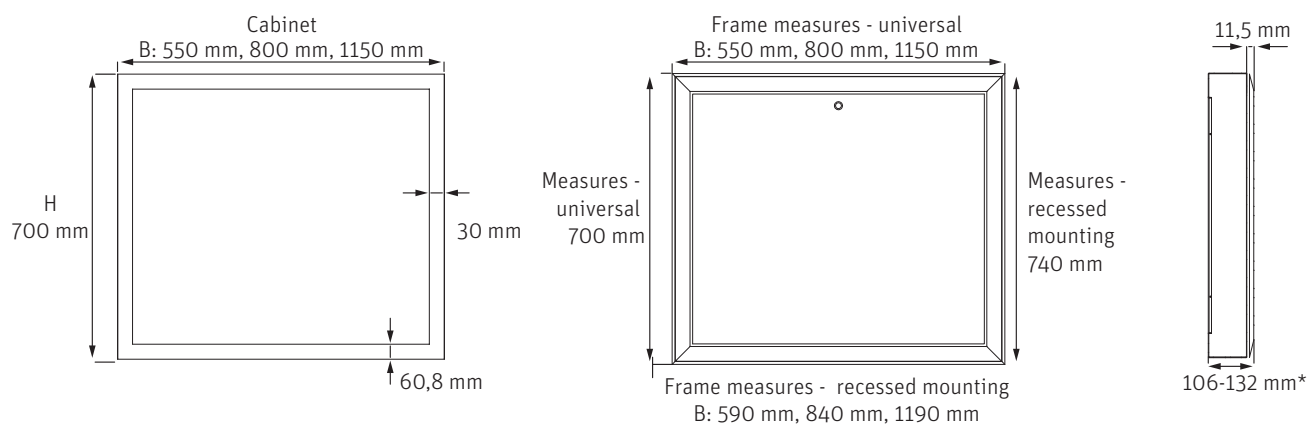
The universal cabinet can be used as freestanding or recessed into a wall.

The recessed cabinet is designed for recessed installation in a wall and is provided with a slightly wider frame, see target sketches. The Roth GV manifold cabinets are made of steel which has been pretreated with the eco-friendly Oxsilan® technology that provides good corrosion protection. The cabinet is subsequently powder coated in RAL 9010 colour.

An overflow must be installed for drainage from the distribution cabinet and out into rooms with drains and solid floors.

The length of drainage pipe must be a maximum of 1.5 meters.

If the cabinet has to be placed in office premises, WC's or kitchens without drainage options for the drain, then the cabinet must be equipped with a Roth QuickStop sensor that alerts and shuts off the water in the event of a leak.



Technical data			
	Roth GV manifold cabinet. 550 mm, universal UK No. 046219.286	Roth GV manifold cabinet, 800 mm universal UK No. 046219.288	Roth GV manifold cabinet. 1150 mm, universal UK No. 046219.292
	Roth GV manifold cabinet. 550 mm, for recessed installation UK No. 046219.386	Roth GV manifold cabinet, 800 mm for recessed installation UK No. 046219.388	Roth GV manifold cabinet. 1150 mm, for recessed installation UK No. 046219.392
Recess depth	95 mm	95 mm	95 mm
Number of circuits without 2-way shunts	2 - 6	2 - 11	2 - 18
Number of circuits with 2-way shunts	2 - 3	2 - 7	2 - 12
Number of holes	20	30	44
Number of nipples	22	32	46
Weight	15,5 kg	20,0 kg	24,0 kg
* Dimension is variable, e.g. plasterboard can be fitted between the cabinet itself and the frame.			