

Roth Touchline® PL actuator, 24V and 230V

The Roth Touchline® PL actuator 24V and 230V is a thermoelectric valve drive for opening and closing valves on heating circuit distributors of underfloor floor heating and cooling systems. The main field of application is the energy-efficient individual room temperature control in the range of building management systems and home automation.

Features

- › Modern design
- › Power consumption 1,2 Watt
- › 100% protection against leaky valves
- › First-Open Function
- › Silent and maintenance-free
- › High functional safety and long service life

The Roth actuator 230V Standard is delivered with fixed connecting cable and stroke indicator black/dark grey



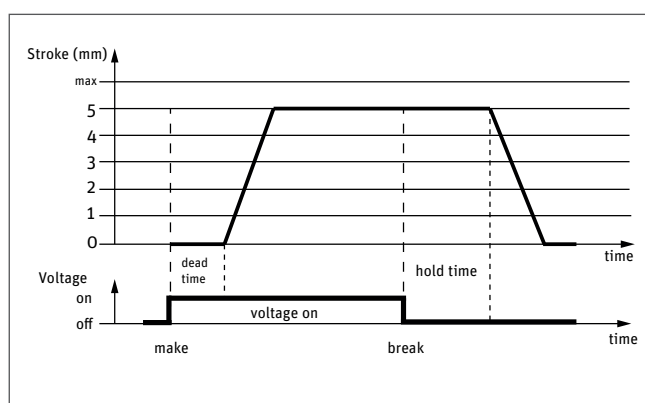
Function

The actuator mechanism of the Roth actuator uses a PTC resistor-heated wax element and a compression spring. The wax element is heated by applying the operating voltage and moves the integrated piston. The force generated by the movement is transferred on the valve lifter and thus opens and closes the valve. The valve is working on the "closed when powerless" principle.

N/C (normally closed)

Powered stroke length - 0 to 5 mm.

The valve is opened steadily by the piston motion upon switching on the operating voltage and after expiry of the delay timer. After the operating voltage is cut and after expiry of the hold timer, the valve is closed evenly by the closing force of the compression spring.

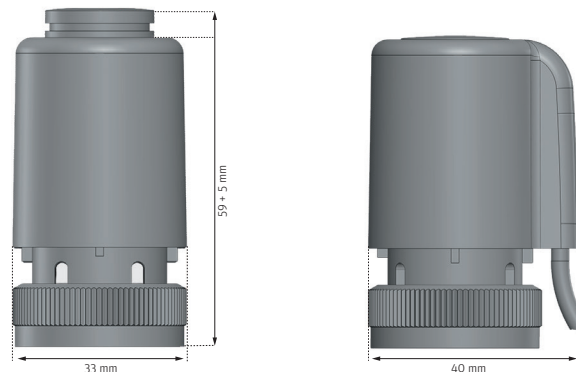


Roth Touchline® PL actuator, 24V and 230V

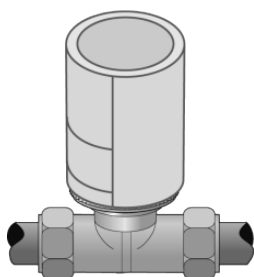
Technical Information

Roth Touchline® PL actuator 24V	HVAC no. 7466275426
Roth Touchline® PL actuator 230V	HVAC no. 7466275430
Voltage	24V/230V +/- 10%
Power consumption	1,2 Watt
Stroke	5 mm
Actuating force	100N
Fluid temperature	0°C - 100°C
Storage temperature	-25°C til +60°C
Ambient temperature	0°C til 60°C
Degree/class of protection	IP42
CE conformity according to	EN 60730
Housing material	Plastic
Connecting cable	2 x 0,75 mm ²
Cable length	1,0 m
Weight	100 g
Type	NC = normally closed
Valve connection	M30 x 1,5

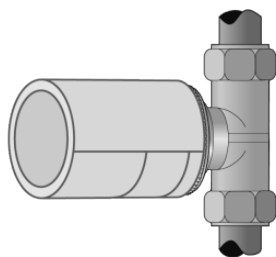
Dimensions



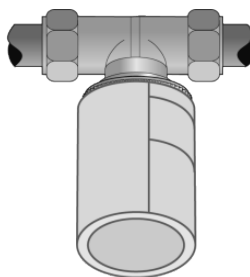
Montering



Vertical



Horizontal



Upside Down

› Attach the actuator directly onto the valve

Preferred installation positions of the Roth actuator are vertical and horizontal. An upside down position may reduce product life through special circumstances (e.g. contaminated water).