

Roth Touchline® SL outdoor sensor

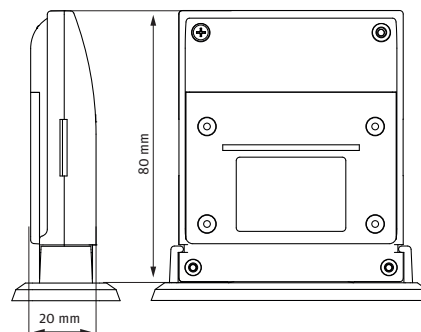
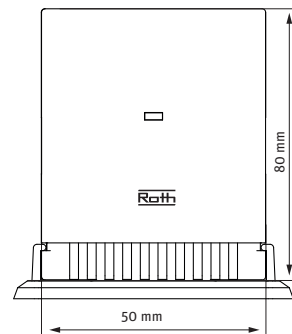
Roth Touchline® SL outdoor sensor for use together with the Roth Touchline® SL control system.

Description

The Roth Touchline® SL outdoor sensor is intended to be used with the Roth Touchline® SL Master control unit. Roth Touchline® SL outdoor sensor should be placed, if possible, on the north side of the house and without direct sunlight.

Technical data

Roth Touchline® SL actuator	HVAC No. 7466397640
Supply voltage	2 x AAA 1,5V battery
Expected battery life	> 3 years
Protection class I	(NA)
Transmission Ambient	> 868 MHz
Ambient temperature	-30 - +50°C
Ambient Humidity	< 90% RF
Humidity Storage/transport	-25 - +50°C
Temperature Degree of protection	IP61
Approvals CE	2014/53/EU



Roth SmartHome compatible