

Roth Touchline® SL window contact

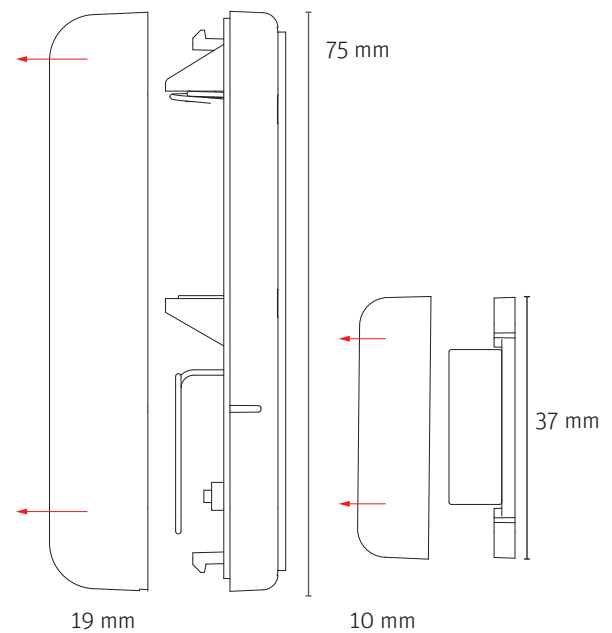
Roth Touchline® SL window contact for use together with Roth Touchline® SL system

Description

Roth Touchline® SL window contact is intended to cut off the heat in a room when a window is opened, thereby avoiding unnecessary heat loss. Roth Touchline® SL window switch must be placed inside as the unit is not waterproof and must be protected from rain and cold. The Roth Touchline® SL window switch can be mounted either with the supplied tape or the supplied screws.

Technical data

Roth Touchline® SL window contact	HVAC No. 7466397600
Supply voltage	3,6V Lithium battery type ER 14250
Expected battery life	> 2 år
Protection class I	(NA)
Transmission ambient	868 MHz
Temperature ambient	5 - 50°C
Ambient Humidity	< 80% RF
Humidity Storage/transport	20 - +50°C
Temperature Degree of Protection	IP20 (EN60529)
Approvals CE	2014/53/EU



Roth SmartHome compatible